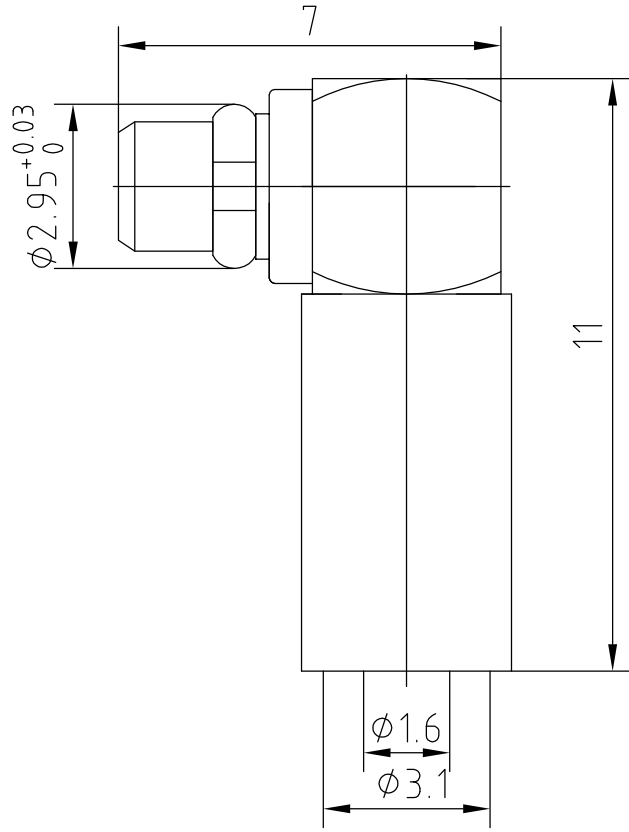


TRL2009071123

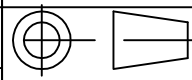


1 Electrical Data:

- 1.1 Impedance: 50Ω
- 1.2 Frequency: 0-6GHz
- 1.3 VSWR ≤1.25
- 1.4 Insulation resistance: ≥1000MΩ
- 1.5 Dielectric withstanding voltage: 500V
- 1.6 Center Contact resistance ≤ 10MΩ
- 1.7 Outer Contact resistance ≤ 5MΩ

2 Material&Finish

- 2.1 Inner Contact: Phosphor Bronze, gold plated
- 2.2 Outer Contact: brass, gold plated
- 2.3 Insulators: PTFE
- 2.4 Spring contact, beryllium copper, gold plated



D	Scale	
	1:1	
	Name	Date
Designed	Tomson Tang	11-Jul-09
Checked	Jason Cai	11-Jul-09
Approved	Magi Wang	11-Jul-09

MMCX-JW3
MMCX male right angle connector
for RG316 cable

UNLESS OTHERWISE SPECIFIED
DIMENSIONS ARE mm, TOLERANCES ARE:
FRACTIONS DECIMALS ANGLES
.X± .15 ±1°
.XX± .05
.XXX±

Xi'an T-RELY ELECTRONICS CO., LTD.