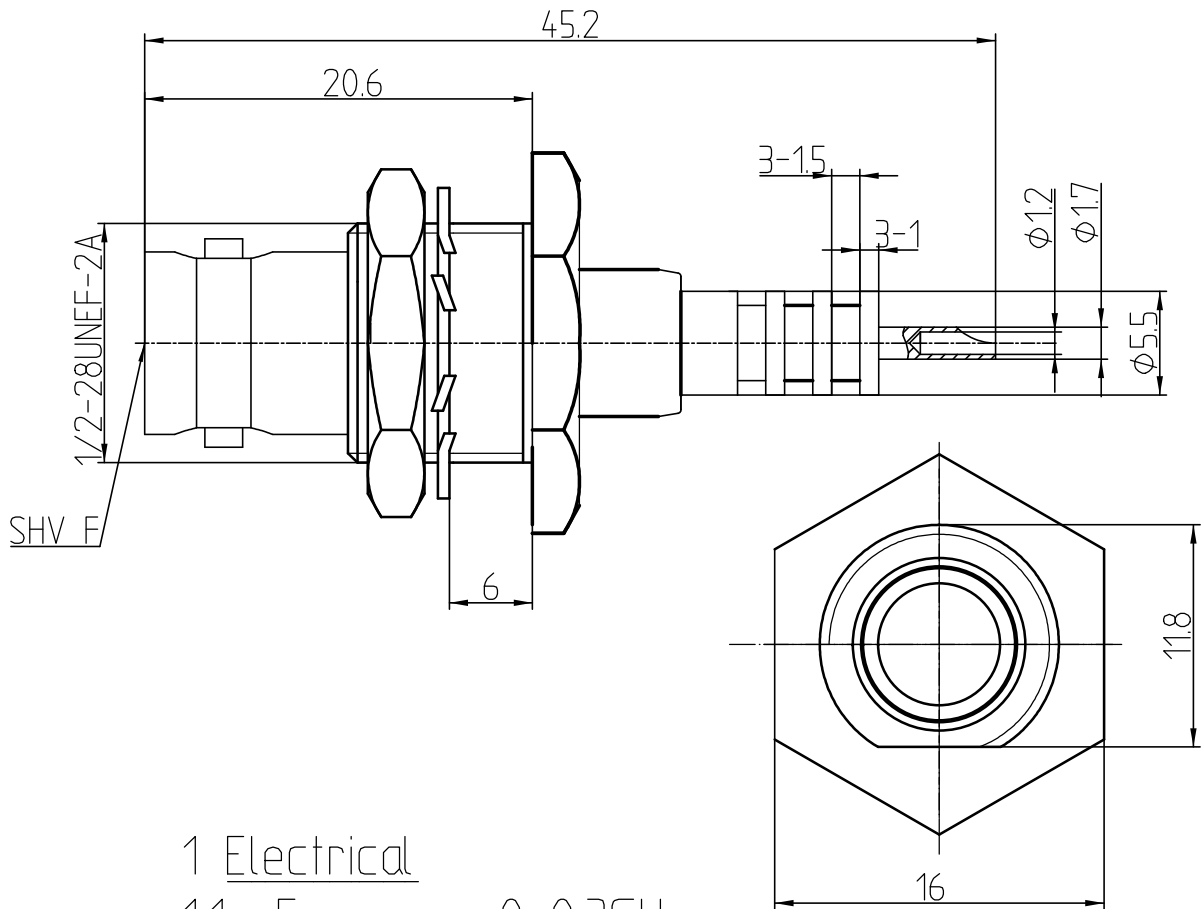


This document contains proprietary information and such information may not be disclosed to others for any purposes, nor used for sales/marketing/procurement purposes without written permission



- 1 Electrical
 - 1.1 Frequency: 0-0.3GHz
- 2 Mechanical
 - 2.1 Center contact: solder
- 3 Environmental
 - 3.1 Operating temperature -65° to 165°
 - 3.2 RoHs compliant
- 4 Material&Finish
 - 4.1 Inner Contact: brass, gold plated
 - 4.2 Outer Contact: nickel, gold plated
 - 4.3 Insulators: PTFE

FIRST ANGLE PROJECTION		SCALE	SHV-JYD4 RF COAXIAL CONNECTOR	UNITS	UNLESS OTHERWISE SPECIFIED DIMENSIONS ARE mm, TOLERANCES ARE: FRACTIONS DECIMALS ANGLES .X± .20 ± 1° .XX± .10 .XXX±
THIRD ANGLE PROJECTION		1:1		mm	
	NAME	DATE	REV	V1.0	
DRAWN	Tomson Tang	1-3-12	Danyang Teruilai Electronics Co.,Ltd.		
CHECKED	Magi Wang	1-3-12			
APPROVED	Teresa Shen	1-3-12			