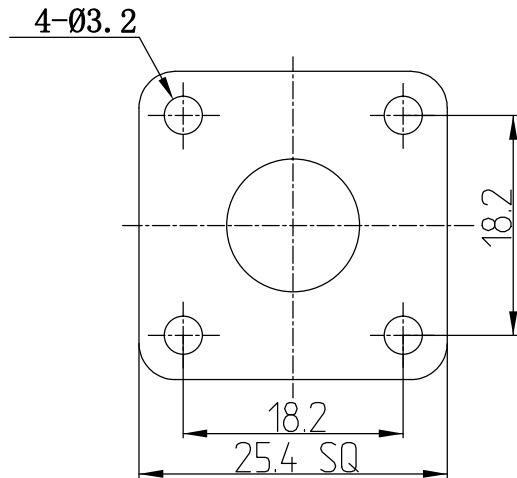
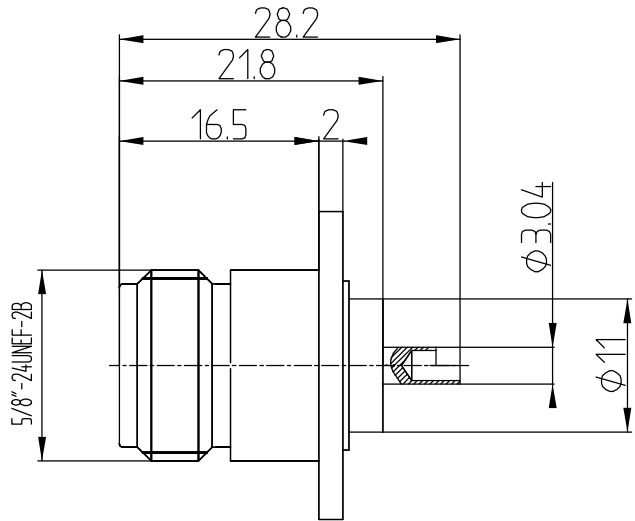


This document contains proprietary information and such information may not be disclosed to others for any purposes, not used for sales/marketing/procurement purposes without written permission

REV	DESCRIPTION OF REVISION	TRL NO.	BY	DATE	APPROVED
A	Initial Release	—	T. Shihua	18/7/08	18/7/08




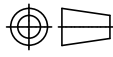
<u>1 Electrical</u>	
1.1 Impedence	50 Ω
1.2 Dielectric withstanding voltage	1500V(volts RMS)
1.3 Center contact resistance	≤ 1MΩ
1.4 Outer contact resistance	≤ 0.2MΩ
1.5 Insulation resistance:	≥ 5000MΩ
1.6 Frequency	DC~6GHz

<u>2 Environmental&Mechanical</u>	
2.1 Temperature range	-40℃~+70℃
2.2 RoHs Compliant	
2.3 Durability	>500 cycles

<u>3 Materials&plating</u>	
3.1 Body:	Brass, Nickel plated
3.2 Insulator:	Teflon
3.3 Contact Pin:	Brass, Gold plated

Notes:

- ALL SPECIFICATIONS ARE SUBJECT TO CHANGE NOTICE AT ANY TIME
- CUSTOMER OUTLINE DRAWING FOR REFERENCE ONLY

DRAWN: T. Shihua 18/7/08	TITLE: RF Coaxial Connector N Female Flange Conn. Terminal	 www.trl-rf.com			
ENGINEER: C. Tao 18/7/08					
APPROVED: W. Qiang 18/7/08		 DIMENSION IN MILLIMETERS (mm)			
TOLERANCES UNLESS OTHERWISE SPECIFIED X ±0.50 .X ±0.20 .XX ±0.10 ANGLES ±1°	PART NO: N-50KF	SIZE: A4	SCALE: N/A	SHEET: 1/1	REV: A