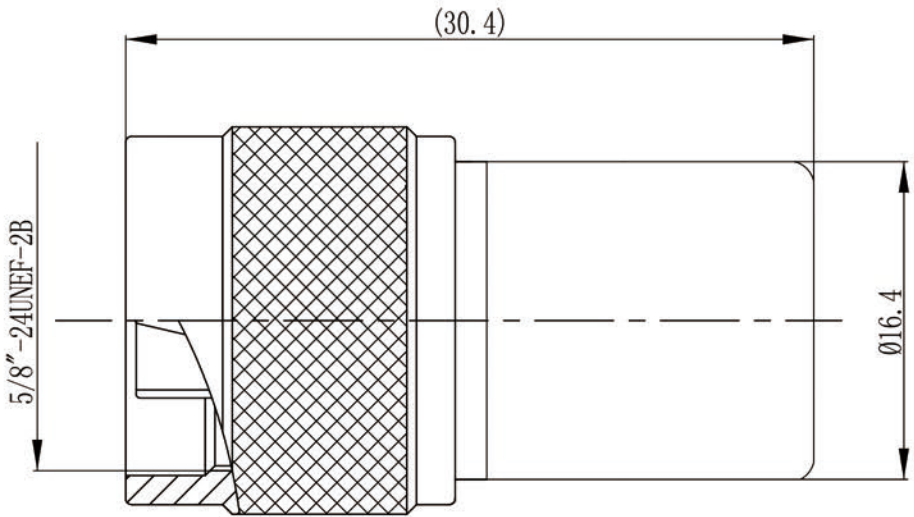


This document contains proprietary information and such information may not be disclosed to others for any purposes, not used for sales/marketing/procurement purposes without written permission

REV	DESCRIPTION OF REVISION	ECN NO.	BY	DATE	APPROVED
A	Initial Release	—	T.Haiyun	11/08/17	11/08/17



1 Electrical

- 1.1 Impedance: 50 Ω
- 1.2 Frequency: DC ~6GHz
- 1.3 VSWR ≤ 1.25
- 1.4 Power ≤ 5W



2 Materials & Finish

- 2.1 Inner Contact: Brass, gold plated
- 2.2 Outer Contact: Brass, Nickel plated
- 2.3 Insulators: PTFE



Notes:

- 1. ALL SPECIFICATIONS ARE SUBJECT TO CHANGE NOTICE AT ANY TIME
- 2. CUSTOMER OUTLINE DRAWING FOR REFERENCE ONLY

DRAWN: T.Haiyun 11/08/17 ENGINEER: C.Tao 11/08/17 APPROVED: W.Qiang 11/08/17 TOLERANCES UNLESS OTHERWISE SPECIFIED X ±0.50 X ±0.20 XX ±0.10 ANGLES ±1°	TITLE: RF Termination N male Conn. Termination	 www.rf-connector-china.com  DIMENSION IN MILLIMETERS (mm)
PART NO: N-50JR-5W	SIZE: A4 SCALE: N/A SHEET: 1/1 REV: A	